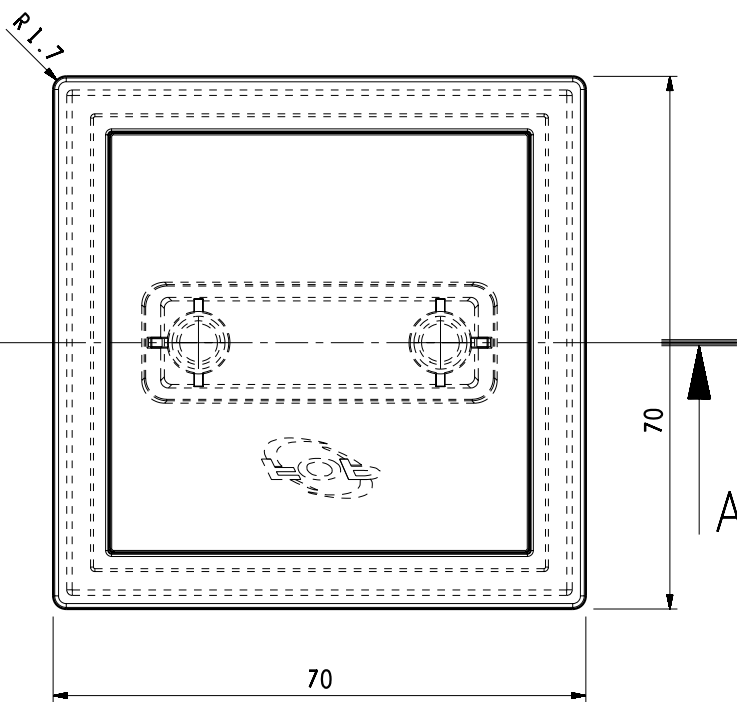
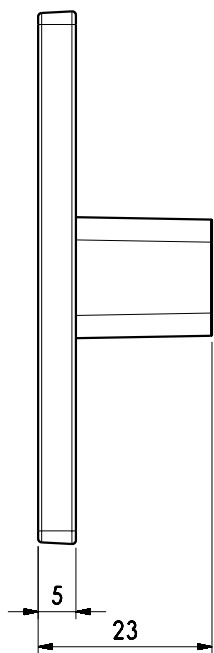
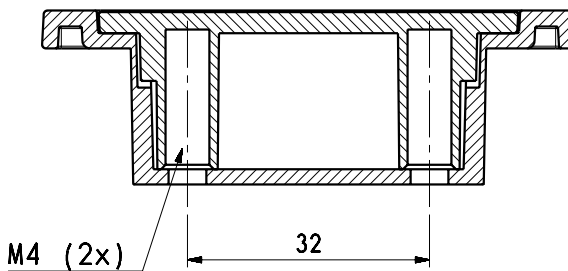


Sez. A-A



MATERIAL: ABS



REV	POSITION	DESCRIPTION	DATE	NAME

UNIT mm	TYPE DRAFT DRAWING	CREATED BY ****	FORMAT A4	REVISION ***
FILENAME ****		CREATION DATE ****	SCALE 1:1	SHEET 1/1
CLIENT ****		PART CODE		****
ART. 1025		TOOL CODE		****
PROJECT NAME ****		CHECKED BY ****	CHECKED_DATE	****